

NP12-10Ah

Valve-regulated lead-acid battery



GENERAL PURPOSE SERIES

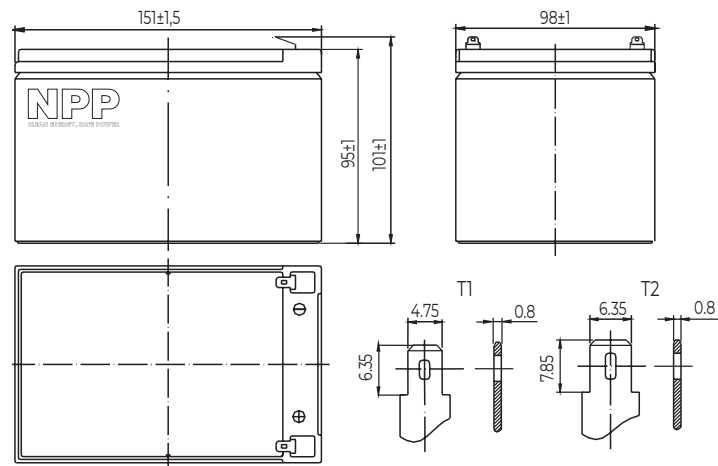
Characteristics

Nominal voltage	10V (6 cells per unit)	
Nominal capacity at 20 hours rate/10.5V (25°C)	10Ah	
Capacity (25°C)	10 Hours rate/10.5V	9.3Ah
	1 Hours rate/9.6V	6Ah
Terminal type	T1/T2	
Torque	N/A	
Approx. internal resistance (25°C)	22 mΩ	
Dimensions	Length	151±1.5mm (5.94inch)
	Width	98±1mm (3.85inch)
	Height	95±1mm (3.70inch)
	Total height	101±1mm (3.94inch)
Design Life (stand-by)	JIS at 25°C	8 years
	Eurobat at 20°C	5 years
Weight	3.10kg (6.83 lbs)±4%	
Nominal operating temperature	25°C±3 (77±5°F)	
Operating temperature range	Discharge	-15°C~50°C (5°F~122°F)
	Charge	-10°C~50°C (14°F~122°F)
	Storage	-20°C~50°C (-4°F~122°F)
Float charging voltage at 25°C	13.5V~13.8V	
Cyclic charging voltage at 25°C	14.5V~15.0V	
Temperature compensation	Float charge	-18 mV/°C/Block
	Cycle charge	-30 mV/°C/Block
Max. charging current (A)	3A	
Max. discharge current for 5 seconds	150A	
Self discharge rate (25°C)	≤3%/month	
Battery container ABS UL94-HB	V-0 optional	

Overview

NPP Power General Purpose series batteries are designed with state-of-the-art AGM (absorbent glass mat) technology, high-performance plates and electrolyte. With excellent value and characteristics, this range is suitable for all general purpose applications.

Dimensions & Terminal Type (mm)



Certification & Compliances



Compliant to: EUROBAT, RoHS, WEEE's and Reach.
Manufactured according to IEC 60896-21 / 22

Construction

Component	Positive Plate	Negative plate	Container	Separator	Electrolyte	Safety valve	Terminal
Raw material	Lead dioxide	Lead	ABS (V-0 opt.)	AGM	Sulfuric Acid	Rubber	Copper

Constant current discharge characteristics at 25°C

(Ampere/battery)

F.V/Time	5min	10min	15min	30min	60min	2hr	3hr	4hr	5hr	10hr	20hr
9.60V	38.2	24.2	18.9	10.7	6.55	3.6	2.48	2.05	1.74	0.95	0.51
9.90V	37.1	23.5	18.4	10.4	6.45	3.56	2.46	2.04	1.73	0.94	0.51
10.2V	35.5	22.5	17.8	10.1	6.29	3.53	2.45	2.02	1.72	0.94	0.50
10.5V	34.0	21.5	17.2	9.87	6.16	3.48	2.43	2.01	1.71	0.93	0.50
10.8V	32.1	20.3	16.3	9.51	5.97	3.39	2.36	1.95	1.66	0.91	0.49

Constant power discharge characteristics at 25°C

(Watts/battery)

F.V/Time	5min	10min	15min	30min	60min	2hr	3hr	4hr	5hr	10hr	20hr
9.60V	426	273	215	122	75.8	41.9	29.4	24.4	20.8	11.4	6.09
9.90V	414	265	210	120	74.7	41.7	29.3	24.3	20.7	11.3	6.07
10.2V	396	254	203	116	72.8	41.3	29.1	24.1	20.6	11.3	6.04
10.5V	379	243	196	113	71.4	40.7	28.9	23.9	20.4	11.2	6.00
10.8V	358	229	185	109	69.2	39.6	28.0	23.2	19.8	11.0	5.88

The above characteristics represent average values and can be obtained within three charge and discharge cycles. The batteries must be fully charged before testing. The data in this document is subject to change without notice and become contractual only after written confirmation. Please contact NPP Power for the latest available version.

NPP Power (Vietnam) Co., Ltd.

Lot A22.3, Road C4, Thanh Thanh Cong Industrial Zone,
An Hoa Ward, Trang Bang Town, Tay Ninh Province,
Vietnam

Guangzhou NPP Power Co., Ltd.

No.67 Lianglong Road, Huashan Town, Huadu District,
Guangzhou, China
Email: info@nppower.com.cn Tel. +86 20 37887 390