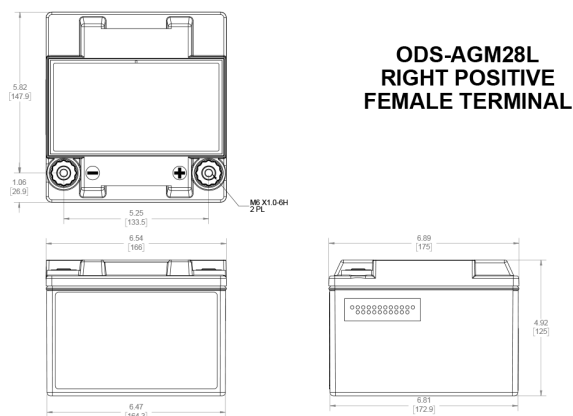




## Drawings & Terminal Position



## Handling and Storage

- Can be mounted or stored in any orientation except inverted
- 2-years storage life at 77°F (25°C) without needing to charge. Recharge when the OCV is <12.2V (50% SOC).
- Classified as non-spillable and approved as non-hazardous cargo for ground, sea and air transportation in accordance with the requirements of IMDG (International Maritime code for Dangerous Goods) and ICAO (International Civil Aviation Organisation)

## Charging and Self-Discharge

Type of charging curve	IUU
Charger voltage at 68°F (20°C)	14.4V to 14.8V
Self-discharge per month at 68°F (20°C)	1.25%
Self-discharge per month at 104°F (40°C)	5%
80% depth of discharge cycles	400

## Technical Data Sheet

### ODS-AGM28L

(PC925)

#### Battery Type

- Up to 400 cycles at 80% depth of discharge
- Absorbed Glass Mat (AGM) with Thin Plate Pure Lead (TPPL)
- Advanced dual purpose battery for engine start and deep cycle use

#### Power and Performance

Voltage	12V
Pulse (5 second) Hot Cranking Amps (PHCA)	900A
Cold Cranking Amps (CCA)	330A
HCA	610A
MCA	480A
20Hr Nominal Capacity (Ah)	28Ah
10Hr Nominal Capacity (Ah)	27Ah
Reserve Capacity Minutes	48 mins
Terminal	M6 Receptacle
Torque Spec in-lbs (Nm max)	60 (6.8)
Internal Resistance (mΩ)	5 mΩ
Short Circuit (A)	2400A
UPC	635241141023

#### Dimensions and Weight

Length	6.6 in / 168 mm
Width	6.9 in / 175 mm
Height (terminals included)	4.7 in / 119 mm
Height (container)	5 in / 127 mm
Weight	23.8 lbs / 10.8 kg

#### Temperature

Operating temperature range	-40°F / -40°C to 113°F / +45°C
Optimum storage temperature	68°F / +20°C

#### Accreditations

The management systems governing the manufacture of this product are ISO 9001 and ISO 14001 certified.

\*Cold Start Performance S.A.E J537 Apr 2016



**EnerSys World Headquarters**  
2366 Bernville Road  
Reading, PA 19605, USA  
Tel: +1-800-964-2837

**EnerSys EMEA**  
EH Europe GmbH  
Baarerstrasse 18  
6300 Zug, Switzerland

**EnerSys Asia**  
152 Beach Road  
#11-08 Gateway East  
Building  
Singapore 189721  
Tel: +65 6416 4800

Want more info?  
Scan code to access  
the ODYSSEY® Battery  
Literature Library

