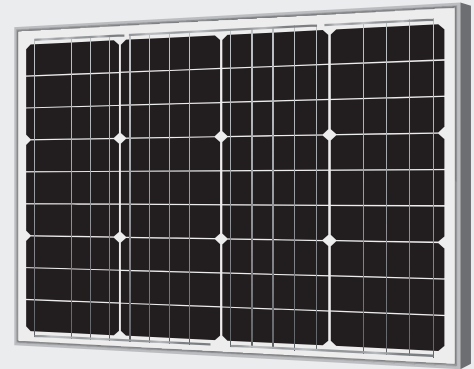


SP50M-36

High Efficiency Monocrystalline PV Module

Electrical Data	SP50M-36
Maximum power (Pmax)	50W
Voltage at Pmax (Vmp)	18.32V
Current at Pmax (Imp)	2.73A
Open-circuit voltage (Voc)	22.80V
Short-circuit current (Isc)	2.93A
Temperature coefficient of Voc	-(80±10)mV/°C
Temperature coefficient of Isc	(0.065±0.015)%/ °C
Temperature coefficient of power	-(0.5±0.05)%/ °C
NOCT (Air 20°C; Sun 0.8kW/m² wind 1m/s)	47±2°C
Operating temperature	-40°C to 85°C
Maximum system voltage	1000V DC
Power tolerance	+ 3%

* STC: Irradiance 1000W/m², AM1.5 spectrum, module temperature 25°C
 * NOCT: Nominal operating cell temperature (the data is only for reference)

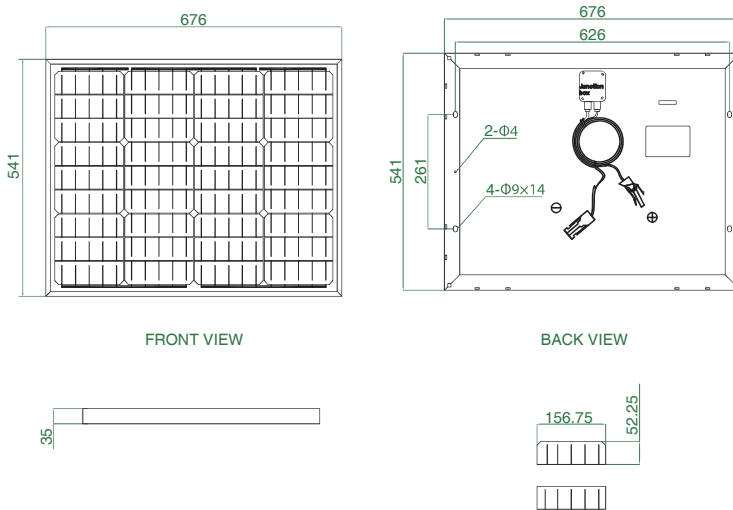


25 25-year guarantee for 80% rated power

10 10-year product workmanship warranty

10 10-year guarantee for 90% rated power

Dimensions Of PV Module



*All Dimensions in mm

Specifications	SP50M-36
Cells	Mono 156.75×52.25 mm
No. of cells and connections	36(4×9)
Module dimension	541×676×35 mm 21.30×26.61×1.38 inch
Weight	4.6 kg
No. of Mounting Holes	4

Features

- Excellent power generation performance
- Nominal 12V DC for standard output.
- Heavy-duty anodized frames.
- High transparent low-iron, tempered glass.

Applications

- Traffic & Safety
- Federal Government
- Agricultural
- Security
- Telecommunications
- Water and Wastewater
- Weather & Environmental Monitoring
- RV Camper
- Emergency Power
- Telemetry

Characteristics

