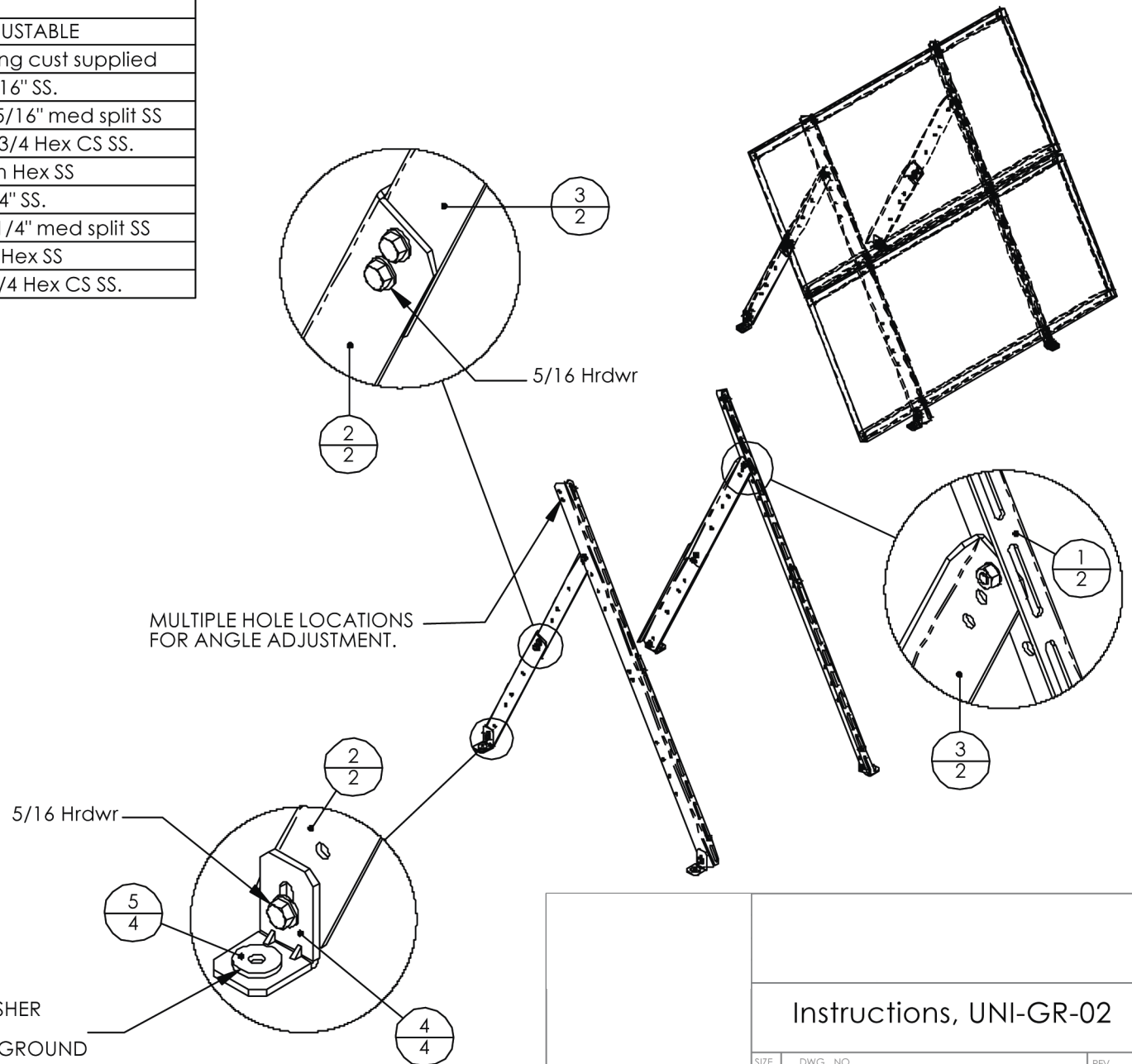


ITEM NO.	QTY.	PART NO.	DESCRIPTION
1	2	51-0545-002	Rail, 45" SOP-GR
2	2	51-0519-000	Rail, 19" Outer
3	2	51-0519-001	Rail, 19" Inner.
4	4	51-6000-002	FOOT,GPS ADJUSTABLE
5	4	25-3102-004	Washer, backing cust supplied
6	20	25-3102-000	Washer, flat 5/16" SS.
7	10	25-3101-000	Washer, Lock 5/16" med split SS
8	10	23-3118-021	Bolt, 5/16-18 x 3/4 Hex CS SS.
9	10	24-3118-440	Nut, 5/16-18 Fin Hex SS
11	8	25-2502-000	Washer, flat 1/4" SS.
12	8	25-2501-000	Washer, Lock 1/4" med split SS
13	8	24-2520-440	Nut, 1/4-20 Fin Hex SS
14	8	23-2520-050	Bolt, 1/4-20 x 3/4 Hex CS SS.



DO NOT SCALE DRAWING

Instructions, UNI-GR-02

SIZE
A

DWG. NO.

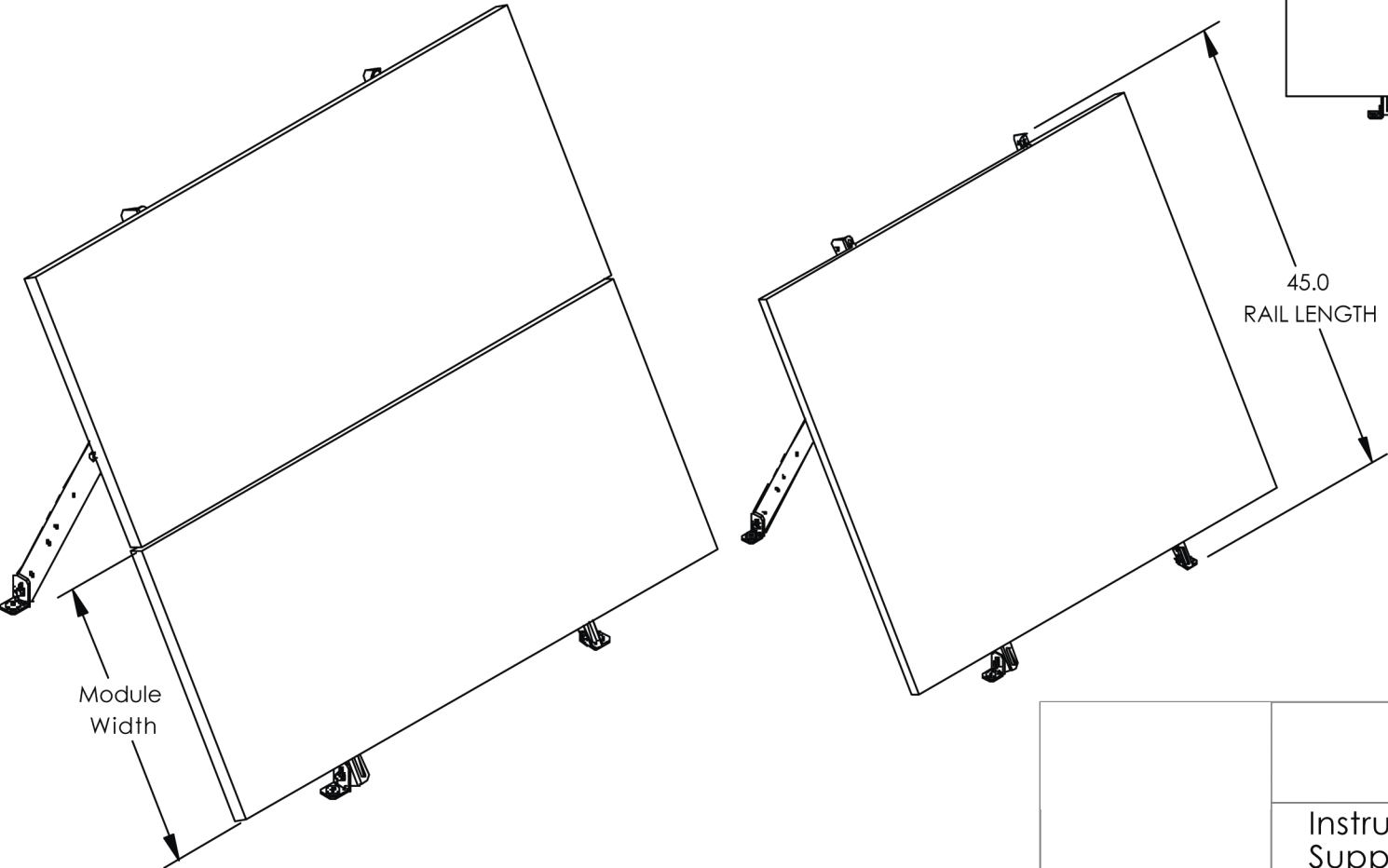
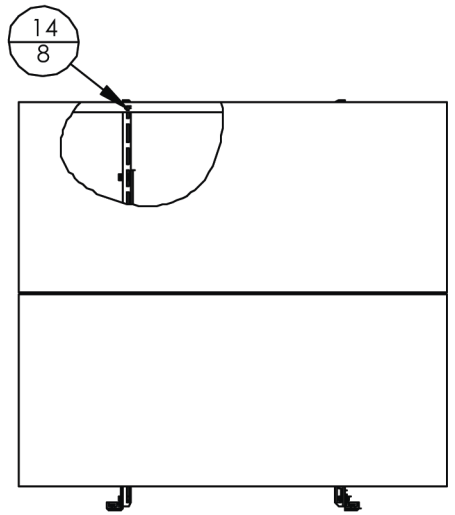
REV.
B

SCALE:1:1

SHEET 1 OF 2

NOTE: OUR MOUNTS CAN HOLD A VARIETY OF DIFFERENT MODULE CONFIGURATIONS AS INDICATED ON THIS PAGE. TO VERIFY FIT, DIVIDE THE RAIL (MODULE SUPPORT) LENGTH BY THE MODULE WIDTH. ALWAYS ALLOW 1-2 INCHES EXTRA RAIL LENGTH PER MODULE TO ALLOW FOR CLEARANCE BETWEEN MODULES, ETC.

IE: THIS MOUNT HAS A 45" RAIL (MODULE SUPPORT) LENGTH. TO CONFIRM THE FIT FOR A 21.1" WIDE MODULE (BP 380 FOR EXAMPLE) DIVIDE 45" (THE RAIL LENGTH) BY 21.1" (THE MODULE WIDTH) AND IT IS FOUND THAT (2) OF THE BP MODULES WILL FIT ON A 45" RAIL WITH 2.8" EXTRA RAIL TO SPARE FOR MODULE CLEARANCE, ETC.



Instructions, UNI-GR/02
Supplemental Sheet

SIZE A	DWG. NO.	REV. B
SCALE:1:1	SHEET 2 OF 2	

DO NOT SCALE DRAWING