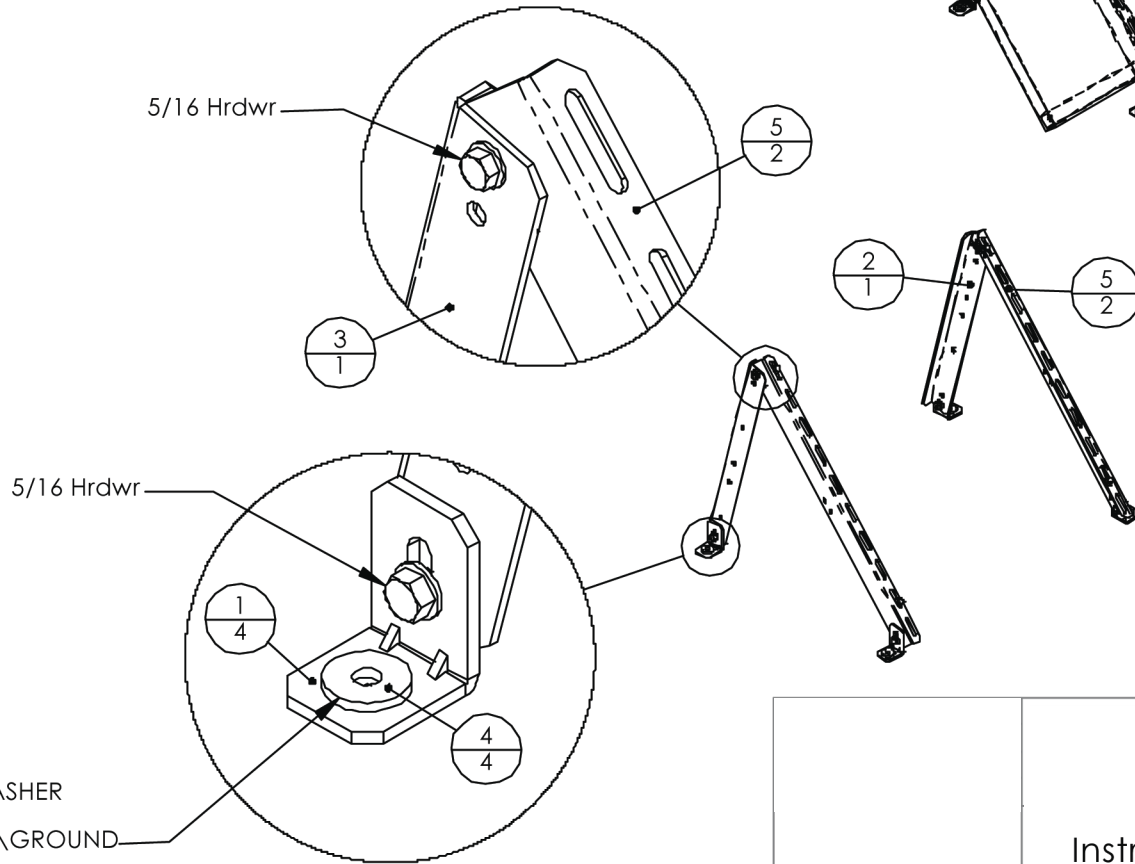
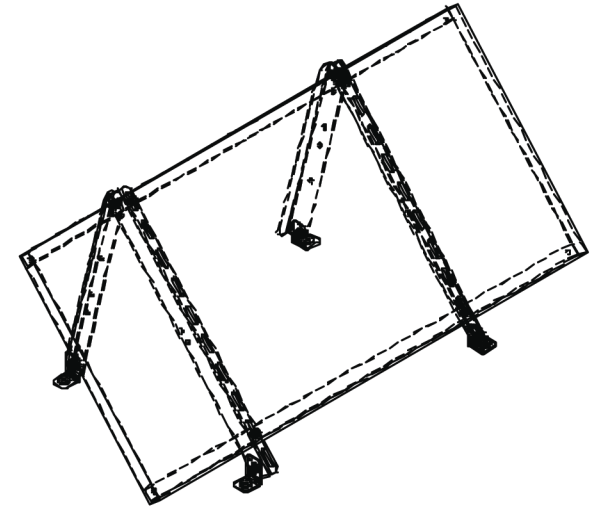


ITEM NO.	QTY.	PART NO.	DESCRIPTION
1	4	51-6000-002	FOOT, GPS ADJUSTABLE
2	1	51-0519-000	Rail, 19" Outer
3	1	51-0519-001	Rail, 19" Inner
4	4	25-3102-004	Washer, backing cust supplied
5	2	51-0525-001	Rail, 25in SOP-TOP
7	4	23-2520-050	Bolt, 1/4-20 x 3/4 Hex CS SS.
8	4	25-2502-000	Washer, flat 1/4" SS.
9	4	25-2501-000	Washer, Lock 1/4" med split SS
10	4	24-2520-440	Nut, 1/4-20 Fin Hex SS
11	12	25-3102-000	Washer, flat 5/16" SS.
12	6	25-3101-000	Washer, Lock 5/16" med split SS
13	6	23-3118-021	Bolt, 5/16-18 x 3/4 Hex CS SS.
14	6	24-3118-440	Nut, 5/16-18 Fin Hex SS



NOTE: MUST INSTALL BACKING WASHER
(CUSTOMER SUPPLIED)
PRIOR TO ATTACHMENT TO ROOF/GROUND

Instructions, UNI-GR-01

SIZE A	DWG. NO.	REV. B
SCALE:1:1		SHEET 1 OF 1

DO NOT SCALE DRAWING